

Annular cutter

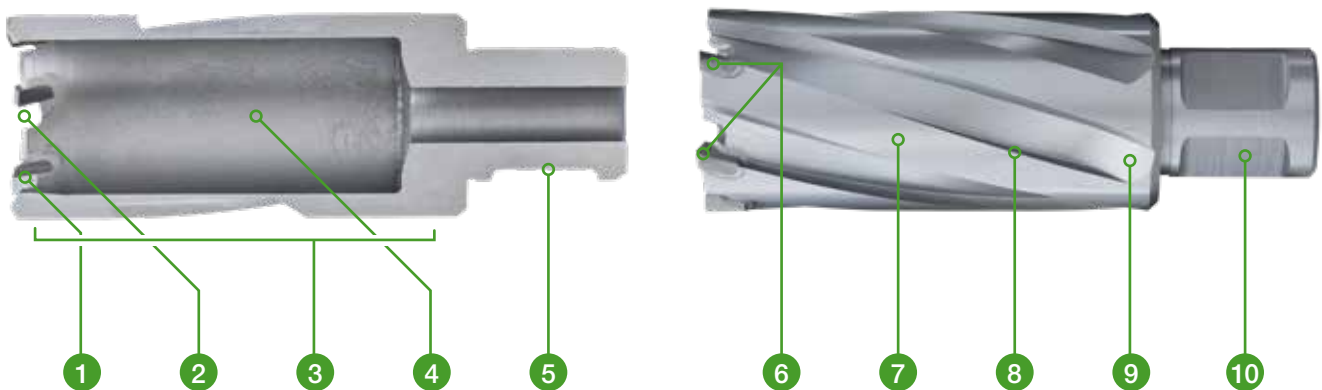
Tungsten Carbide Tipped

Euroboor TCT (**SANDVIK**) annular cutters are equipped with a spiral flute which creates optimum chip removal and makes seizure virtually impossible. These annular cutters are used for example in hardened materials such as HARDOX steel, stainless steels and high

tensile strength steel such as railway tracks. Because of the above composition, and when used in a proper way, these cutters are less susceptible to breakage than standard High Speed Steel cutters, especially in larger diameters and lengths.

TCT material application													
Plastics GRP/CRP	Brass, Copper, Tin	Grey cast iron	Steel					Stainless steel		Aluminium		Exotic materials, Inconnell, Nimonic, HARDOX, Hastelloy	Rails
			< 500N	< 750N	< 900N	< 1,100N	< 1,400N	< 900N	≤ 900N	< 10% Si	≤ 10% Si		
	○	●	●	●	●	●	●	●	●	●	●	●	○

TCT profile



- Extremely hard and durable tungsten carbide cutting teeth (**SANDVIK**) for the hardest of drilling tasks. Offset positioning for the lowest possible heat development.
- Optimised cutting angles for shortest drilling times and clearest cuts.
- Special alloy body for optimum strength and durability.
- Tapered inside fitment prevents the cutter getting stuck. Guaranteed slug ejection with usage of the correct pilot pin.
- Precise shank fitment for maximum interchangeability and close tolerance drilling without run-out.
- Altering "continuous pre-cut" teeth geometry. Generates faster and more stable drilling performance and results in clear cuts of the highest precision and smooth, burr-free finishes. **SANDVIK** carbide tipped.
- Well-thought-out spiral flute angles for optimal chip removal.
- Specially designed blades for optimum stability and heat-reduction.
- Number of flutes and teeth matched to the diameter of the cutter for the best tooth load and superior cutting speeds.
- Precision ground shanks for optimum fitment of the cutter itself in the tool holder and of pilot pin in the annular cutter. Increases safety, stability and accurate hole dimensions.

TCT

Weldon shank



Nitto/Weldon shank



Shank sizes

DIA Ø 12 - 60 mm:
19.05 mm (3/4")

DIA Ø 61 - 200 mm:
31.75 mm (1 1/4")



DoC
Depth of Cut measured inside cutter

	DoC 35 mm Weldon	DoC 35 mm Nitto/Weldon	DoC 55 mm Weldon	DoC 55 mm Nitto/Weldon
DIA	Ø 12 - 100 mm	Ø 12 - 60 mm	Ø 12 - 200 mm	Ø 12 - 60 mm
	Code	Code	Code	Code
Ø 12	HMS.120	HMSU.120	HML.120	HMLU.120
Ø 13	HMS.130	HMSU.130	HML.130	HMLU.130
Ø 14	HMS.140	HMSU.140	HML.140	HMLU.140
Ø 15	HMS.150	HMSU.150	HML.150	HMLU.150
Ø 16	HMS.160	HMSU.160	HML.160	HMLU.160
Ø 17	HMS.170	HMSU.170	HML.170	HMLU.170
Ø 18	HMS.180	HMSU.180	HML.180	HMLU.180
Ø 19	HMS.190	HMSU.190	HML.190	HMLU.190
Ø 20	HMS.200	HMSU.200	HML.200	HMLU.200
Ø 21	HMS.210	HMSU.210	HML.210	HMLU.210
Ø 22	HMS.220	HMSU.220	HML.220	HMLU.220
Ø 23	HMS.230	HMSU.230	HML.230	HMLU.230
Ø 24	HMS.240	HMSU.240	HML.240	HMLU.240
Ø 25	HMS.250	HMSU.250	HML.250	HMLU.250
Ø 26	HMS.260	HMSU.260	HML.260	HMLU.260
Ø 27	HMS.270	HMSU.270	HML.270	HMLU.270
Ø 28	HMS.280	HMSU.280	HML.280	HMLU.280
Ø 29	HMS.290	HMSU.290	HML.290	HMLU.290
Ø 30	HMS.300	HMSU.300	HML.300	HMLU.300
Ø 31	HMS.310	HMSU.310	HML.310	HMLU.310
Ø 32	HMS.320	HMSU.320	HML.320	HMLU.320
Ø 33	HMS.330	HMSU.330	HML.330	HMLU.330
Ø 34	HMS.340	HMSU.340	HML.340	HMLU.340
Ø 35	HMS.350	HMSU.350	HML.350	HMLU.350
Ø 36	HMS.360	HMSU.360	HML.360	HMLU.360
Ø 37	HMS.370	HMSU.370	HML.370	HMLU.370
Ø 38	HMS.380	HMSU.380	HML.380	HMLU.380
Ø 39	HMS.390	HMSU.390	HML.390	HMLU.390
Ø 40	HMS.400	HMSU.400	HML.400	HMLU.400
Ø 41	HMS.410	HMSU.410	HML.410	HMLU.410
Ø 42	HMS.420	HMSU.420	HML.420	HMLU.420
Ø 43	HMS.430	HMSU.430	HML.430	HMLU.430
Ø 44	HMS.440	HMSU.440	HML.440	HMLU.440
Ø 45	HMS.450	HMSU.450	HML.450	HMLU.450
Ø 46	HMS.460	HMSU.460	HML.460	HMLU.460
Ø 47	HMS.470	HMSU.470	HML.470	HMLU.470
Ø 48	HMS.480	HMSU.480	HML.480	HMLU.480
Ø 49	HMS.490	HMSU.490	HML.490	HMLU.490
Ø 50	HMS.500	HMSU.500	HML.500	HMLU.500
Ø 51	HMS.510	HMSU.510	HML.510	HMLU.510
Ø 52	HMS.520	HMSU.520	HML.520	HMLU.520
Ø 53	HMS.530	HMSU.530	HML.530	HMLU.530
Ø 54	HMS.540	HMSU.540	HML.540	HMLU.540
Ø 55	HMS.550	HMSU.550	HML.550	HMLU.550
Ø 56	HMS.560	HMSU.560	HML.560	HMLU.560
Ø 57	HMS.570	HMSU.570	HML.570	HMLU.570
Ø 58	HMS.580	HMSU.580	HML.580	HMLU.580
Ø 59	HMS.590	HMSU.590	HML.590	HMLU.590
Ø 60	HMS.600	HMSU.600	HML.600	HMLU.600
Ø 61	HMS.610		HML.610	
Ø 62	HMS.620		HML.620	

	DoC 35 mm Weldon	DoC 35 mm Nitto/Weldon	DoC 55 mm Weldon	DoC 55 mm Nitto/Weldon
DIA	Ø 12 - 100 mm	Ø 12 - 60 mm	Ø 12 - 200 mm	Ø 12 - 60 mm
	Code	Code	Code	Code
Ø 63	HMS.630		HML.630	
Ø 64	HMS.640		HML.640	
Ø 65	HMS.650		HML.650	
Ø 66	HMS.660		HML.660	
Ø 67	HMS.670		HML.670	
Ø 68	HMS.680		HML.680	
Ø 69	HMS.690		HML.690	
Ø 70	HMS.700		HML.700	
Ø 71	HMS.710		HML.710	
Ø 72	HMS.720		HML.720	
Ø 73	HMS.730		HML.730	
Ø 74	HMS.740		HML.740	
Ø 75	HMS.750		HML.750	
Ø 76	HMS.760		HML.760	
Ø 77	HMS.770		HML.770	
Ø 78	HMS.780		HML.780	
Ø 79	HMS.790		HML.790	
Ø 80	HMS.800		HML.800	
Ø 81	HMS.810		HML.810	
Ø 82	HMS.820		HML.820	
Ø 83	HMS.830		HML.830	
Ø 84	HMS.840		HML.840	
Ø 85	HMS.850		HML.850	
Ø 86	HMS.860		HML.860	
Ø 87	HMS.870		HML.870	
Ø 88	HMS.880		HML.880	
Ø 89	HMS.890		HML.890	
Ø 90	HMS.900		HML.900	
Ø 91	HMS.910		HML.910	
Ø 92	HMS.920		HML.920	
Ø 93	HMS.930		HML.930	
Ø 94	HMS.940		HML.940	
Ø 95	HMS.950		HML.950	
Ø 96	HMS.960		HML.960	
Ø 97	HMS.970		HML.970	
Ø 98	HMS.980		HML.980	
Ø 99	HMS.990		HML.990	
Ø 100	HMS.1000		HML.1000	
Ø 101			HML.1010	
Ø 102			HML.1020	
Ø 103			HML.1030	
Ø 104			HML.1040	
Ø 105			HML.1050	
Ø 106			HML.1060	
Ø 107			HML.1070	
Ø 108			HML.1080	
Ø 109			HML.1090	
Ø 110			HML.1100	
Ø 111			HML.1110	
Ø 112			HML.1120	
Ø 113			HML.1130	

TCT

Weldon shank



Nitto/Weldon shank



Shank sizes

DIA Ø 12 - 60 mm:
19.05 mm (3/4")

DIA Ø 61 - 200 mm:
31.75 mm (1 1/4")



DoC

Depth
of Cut
measured
inside
cutter

TCT metric

TCT

Weldon shank



Nitto/Weldon shank



Shank sizes

DIA Ø 12 - 60 mm:
19.05 mm (3/4")

DIA Ø 61 - 200 mm:
31.75 mm (1 1/4")



DoC
Depth of Cut measured inside cutter

	DoC 35 mm Weldon	DoC 35 mm Nitto/Weldon	DoC 55 mm Weldon	DoC 55 mm Nitto/Weldon
DIA	Ø 12 - 100 mm	Ø 12 - 60 mm	Ø 12 - 200 mm	Ø 12 - 60 mm
	Code	Code	Code	Code
Ø 114			HML.1140	
Ø 115			HML.1150	
Ø 116			HML.1160	
Ø 117			HML.1170	
Ø 118			HML.1180	
Ø 119			HML.1190	
Ø 120			HML.1200	
Ø 121			HML.1210	
Ø 122			HML.1220	
Ø 123			HML.1230	
Ø 124			HML.1240	
Ø 125			HML.1250	
Ø 126			HML.1260	
Ø 127			HML.1270	
Ø 128			HML.1280	
Ø 129			HML.1290	
Ø 130			HML.1300	
Ø 131			HML.1310	
Ø 132			HML.1320	
Ø 133			HML.1330	
Ø 134			HML.1340	
Ø 135			HML.1350	
Ø 136			HML.1360	
Ø 137			HML.1370	
Ø 138			HML.1380	
Ø 139			HML.1390	
Ø 140			HML.1400	
Ø 141			HML.1410	
Ø 142			HML.1420	
Ø 143			HML.1430	
Ø 144			HML.1440	
Ø 145			HML.1450	
Ø 146			HML.1460	
Ø 147			HML.1470	
Ø 148			HML.1480	
Ø 149			HML.1490	
Ø 150			HML.1500	
Ø 151			HML.1510	
Ø 152			HML.1520	
Ø 153			HML.1530	
Ø 154			HML.1540	
Ø 155			HML.1550	
Ø 156			HML.1560	
Ø 157			HML.1570	
Ø 158			HML.1580	
Ø 159			HML.1590	
Ø 160			HML.1600	
Ø 161			HML.1610	
Ø 162			HML.1620	
Ø 163			HML.1630	
Ø 164			HML.1640	

	DoC 35 mm Weldon	DoC 35 mm Nitto/Weldon	DoC 55 mm Weldon	DoC 55 mm Nitto/Weldon
DIA	Ø 12 - 100 mm	Ø 12 - 60 mm	Ø 12 - 200 mm	Ø 12 - 60 mm
	Code	Code	Code	Code
Ø 165			HML.1650	
Ø 166			HML.1660	
Ø 167			HML.1670	
Ø 168			HML.1680	
Ø 169			HML.1690	
Ø 170			HML.1700	
Ø 171			HML.1710	
Ø 172			HML.1720	
Ø 173			HML.1730	
Ø 174			HML.1740	
Ø 175			HML.1750	
Ø 176			HML.1760	
Ø 177			HML.1770	
Ø 178			HML.1780	
Ø 179			HML.1790	
Ø 180			HML.1800	
Ø 181			HML.1810	
Ø 182			HML.1820	
Ø 183			HML.1830	
Ø 184			HML.1840	
Ø 185			HML.1850	
Ø 186			HML.1860	
Ø 187			HML.1870	
Ø 188			HML.1880	
Ø 189			HML.1890	
Ø 190			HML.1900	
Ø 191			HML.1910	
Ø 192			HML.1920	
Ø 193			HML.1930	
Ø 194			HML.1940	
Ø 195			HML.1950	
Ø 196			HML.1960	
Ø 197			HML.1970	
Ø 198			HML.1980	
Ø 199			HML.1990	
Ø 200			HML.2000	

TCT

Weldon shank



Nitto/Weldon shank



Shank sizes

DIA Ø 12 - 60 mm:
19.05 mm (3/4")

DIA Ø 61 - 200 mm:
31.75 mm (1 1/4")



DoC

Depth
of Cut
measured
inside
cutter

TCT

Weldon shank



Shank sizes

DIA Ø 12 - 60 mm:
19.05 mm (3/4")

DIA Ø 61 - 200 mm:
31.75 mm (1 1/4")



DoC
Depth of Cut measured inside cutter

	DoC 75 mm Weldon	DoC 100 mm Weldon	DoC 150 mm Weldon	DoC 200 mm Weldon
DIA	Ø 12 - 50 mm	Ø 12 - 200 mm	Ø 22 - 200 mm	Ø 22 - 200 mm
	Code	Code	Code	Code
Ø 12	HMY.120	HMX.120		
Ø 13	HMY.130	HMX.130		
Ø 14	HMY.140	HMX.140		
Ø 15	HMY.150	HMX.150		
Ø 16	HMY.160	HMX.160		
Ø 17	HMY.170	HMX.170		
Ø 18	HMY.180	HMX.180		
Ø 19	HMY.190	HMX.190		
Ø 20	HMY.200	HMX.200		
Ø 21	HMY.210	HMX.210		
Ø 22	HMY.220	HMX.220	HMW.220	HMV.220
Ø 23	HMY.230	HMX.230	HMW.230	HMV.230
Ø 24	HMY.240	HMX.240	HMW.240	HMV.240
Ø 25	HMY.250	HMX.250	HMW.250	HMV.250
Ø 26	HMY.260	HMX.260	HMW.260	HMV.260
Ø 27	HMY.270	HMX.270	HMW.270	HMV.270
Ø 28	HMY.280	HMX.280	HMW.280	HMV.280
Ø 29	HMY.290	HMX.290	HMW.290	HMV.290
Ø 30	HMY.300	HMX.300	HMW.300	HMV.300
Ø 31	HMY.310	HMX.310	HMW.310	HMV.310
Ø 32	HMY.320	HMX.320	HMW.320	HMV.320
Ø 33	HMY.330	HMX.330	HMW.330	HMV.330
Ø 34	HMY.340	HMX.340	HMW.340	HMV.340
Ø 35	HMY.350	HMX.350	HMW.350	HMV.350
Ø 36	HMY.360	HMX.360	HMW.360	HMV.360
Ø 37	HMY.370	HMX.370	HMW.370	HMV.370
Ø 38	HMY.380	HMX.380	HMW.380	HMV.380
Ø 39	HMY.390	HMX.390	HMW.390	HMV.390
Ø 40	HMY.400	HMX.400	HMW.400	HMV.400
Ø 41	HMY.410	HMX.410	HMW.410	HMV.410
Ø 42	HMY.420	HMX.420	HMW.420	HMV.420
Ø 43	HMY.430	HMX.430	HMW.430	HMV.430
Ø 44	HMY.440	HMX.440	HMW.440	HMV.440
Ø 45	HMY.450	HMX.450	HMW.450	HMV.450
Ø 46	HMY.460	HMX.460	HMW.460	HMV.460
Ø 47	HMY.470	HMX.470	HMW.470	HMV.470
Ø 48	HMY.480	HMX.480	HMW.480	HMV.480
Ø 49	HMY.490	HMX.490	HMW.490	HMV.490
Ø 50	HMY.500	HMX.500	HMW.500	HMV.500
Ø 51		HMX.510	HMW.510	HMV.510
Ø 52		HMX.520	HMW.520	HMV.520
Ø 53		HMX.530	HMW.530	HMV.530
Ø 54		HMX.540	HMW.540	HMV.540
Ø 55		HMX.550	HMW.550	HMV.550
Ø 56		HMX.560	HMW.560	HMV.560
Ø 57		HMX.570	HMW.570	HMV.570
Ø 58		HMX.580	HMW.580	HMV.580
Ø 59		HMX.590	HMW.590	HMV.590
Ø 60		HMX.600	HMW.600	HMV.600
Ø 61		HMX.610	HMW.610	HMV.610
Ø 62		HMX.620	HMW.620	HMV.620

	DoC 75 mm Weldon	DoC 100 mm Weldon	DoC 150 mm Weldon	DoC 200 mm Weldon
DIA	Ø 12 - 50 mm	Ø 12 - 200 mm	Ø 22 - 200 mm	Ø 22 - 200 mm
	Code	Code	Code	Code
Ø 63		HMX.630	HMW.630	HMV.630
Ø 64		HMX.640	HMW.640	HMV.640
Ø 65		HMX.650	HMW.650	HMV.650
Ø 66		HMX.660	HMW.660	HMV.660
Ø 67		HMX.670	HMW.670	HMV.670
Ø 68		HMX.680	HMW.680	HMV.680
Ø 69		HMX.690	HMW.690	HMV.690
Ø 70		HMX.700	HMW.700	HMV.700
Ø 71		HMX.710	HMW.710	HMV.710
Ø 72		HMX.720	HMW.720	HMV.720
Ø 73		HMX.730	HMW.730	HMV.730
Ø 74		HMX.740	HMW.740	HMV.740
Ø 75		HMX.750	HMW.750	HMV.750
Ø 76		HMX.760	HMW.760	HMV.760
Ø 77		HMX.770	HMW.770	HMV.770
Ø 78		HMX.780	HMW.780	HMV.780
Ø 79		HMX.790	HMW.790	HMV.790
Ø 80		HMX.800	HMW.800	HMV.800
Ø 81		HMX.810	HMW.810	HMV.810
Ø 82		HMX.820	HMW.820	HMV.820
Ø 83		HMX.830	HMW.830	HMV.830
Ø 84		HMX.840	HMW.840	HMV.840
Ø 85		HMX.850	HMW.850	HMV.850
Ø 86		HMX.860	HMW.860	HMV.860
Ø 87		HMX.870	HMW.870	HMV.870
Ø 88		HMX.880	HMW.880	HMV.880
Ø 89		HMX.890	HMW.890	HMV.890
Ø 90		HMX.900	HMW.900	HMV.900
Ø 91		HMX.910	HMW.910	HMV.910
Ø 92		HMX.920	HMW.920	HMV.920
Ø 93		HMX.930	HMW.930	HMV.930
Ø 94		HMX.940	HMW.940	HMV.940
Ø 95		HMX.950	HMW.950	HMV.950
Ø 96		HMX.960	HMW.960	HMV.960
Ø 97		HMX.970	HMW.970	HMV.970
Ø 98		HMX.980	HMW.980	HMV.980
Ø 99		HMX.990	HMW.990	HMV.990
Ø 100		HMX.1000	HMW.1000	HMV.1000
Ø 101		HMX.1010	HMW.1010	HMV.1010
Ø 102		HMX.1020	HMW.1020	HMV.1020
Ø 103		HMX.1030	HMW.1030	HMV.1030
Ø 104		HMX.1040	HMW.1040	HMV.1040
Ø 105		HMX.1050	HMW.1050	HMV.1050
Ø 106		HMX.1060	HMW.1060	HMV.1060
Ø 107		HMX.1070	HMW.1070	HMV.1070
Ø 108		HMX.1080	HMW.1080	HMV.1080
Ø 109		HMX.1090	HMW.1090	HMV.1090
Ø 110		HMX.1100	HMW.1100	HMV.1100
Ø 111		HMX.1110	HMW.1110	HMV.1110
Ø 112		HMX.1120	HMW.1120	HMV.1120
Ø 113		HMX.1130	HMW.1130	HMV.1130

TCT

Weldon shank



Shank sizes

DIA Ø 12 - 60 mm:
19.05 mm (3/4")DIA Ø 61 - 200 mm:
31.75 mm (1 1/4")

DoC

Depth
of Cut
measured
inside
cutter

TCT

Weldon shank



Shank sizes

DIA Ø 12 - 60 mm:
19.05 mm (3/4")

DIA Ø 61 - 200 mm:
31.75 mm (1 1/4")



DoC
Depth of Cut measured inside cutter

	DoC 75 mm Weldon	DoC 100 mm Weldon	DoC 150 mm Weldon	DoC 200 mm Weldon
DIA	Ø 12 - 50 mm	Ø 12 - 200 mm	Ø 22 - 200 mm	Ø 22 - 200 mm
	Code	Code	Code	Code
Ø 114		HMX.1140	HMW.1140	HMV.1140
Ø 115		HMX.1150	HMW.1150	HMV.1150
Ø 116		HMX.1160	HMW.1160	HMV.1160
Ø 117		HMX.1170	HMW.1170	HMV.1170
Ø 118		HMX.1180	HMW.1180	HMV.1180
Ø 119		HMX.1190	HMW.1190	HMV.1190
Ø 120		HMX.1200	HMW.1200	HMV.1200
Ø 121		HMX.1210	HMW.1210	HMV.1210
Ø 122		HMX.1220	HMW.1220	HMV.1220
Ø 123		HMX.1230	HMW.1230	HMV.1230
Ø 124		HMX.1240	HMW.1240	HMV.1240
Ø 125		HMX.1250	HMW.1250	HMV.1250
Ø 126		HMX.1260	HMW.1260	HMV.1260
Ø 127		HMX.1270	HMW.1270	HMV.1270
Ø 128		HMX.1280	HMW.1280	HMV.1280
Ø 129		HMX.1290	HMW.1290	HMV.1290
Ø 130		HMX.1300	HMW.1300	HMV.1300
Ø 131		HMX.1310	HMW.1310	HMV.1310
Ø 132		HMX.1320	HMW.1320	HMV.1320
Ø 133		HMX.1330	HMW.1330	HMV.1330
Ø 134		HMX.1340	HMW.1340	HMV.1340
Ø 135		HMX.1350	HMW.1350	HMV.1350
Ø 136		HMX.1360	HMW.1360	HMV.1360
Ø 137		HMX.1370	HMW.1370	HMV.1370
Ø 138		HMX.1380	HMW.1380	HMV.1380
Ø 139		HMX.1390	HMW.1390	HMV.1390
Ø 140		HMX.1400	HMW.1400	HMV.1400
Ø 141		HMX.1410	HMW.1410	HMV.1410
Ø 142		HMX.1420	HMW.1420	HMV.1420
Ø 143		HMX.1430	HMW.1430	HMV.1430
Ø 144		HMX.1440	HMW.1440	HMV.1440
Ø 145		HMX.1450	HMW.1450	HMV.1450
Ø 146		HMX.1460	HMW.1460	HMV.1460
Ø 147		HMX.1470	HMW.1470	HMV.1470
Ø 148		HMX.1480	HMW.1480	HMV.1480
Ø 149		HMX.1490	HMW.1490	HMV.1490
Ø 150		HMX.1500	HMW.1500	HMV.1500
Ø 151		HMX.1510	HMW.1510	HMV.1510
Ø 152		HMX.1520	HMW.1520	HMV.1520
Ø 153		HMX.1530	HMW.1530	HMV.1530
Ø 154		HMX.1540	HMW.1540	HMV.1540
Ø 155		HMX.1550	HMW.1550	HMV.1550
Ø 156		HMX.1560	HMW.1560	HMV.1560
Ø 157		HMX.1570	HMW.1570	HMV.1570
Ø 158		HMX.1580	HMW.1580	HMV.1580
Ø 159		HMX.1590	HMW.1590	HMV.1590
Ø 160		HMX.1600	HMW.1600	HMV.1600
Ø 161		HMX.1610	HMW.1610	HMV.1610
Ø 162		HMX.1620	HMW.1620	HMV.1620
Ø 163		HMX.1630	HMW.1630	HMV.1630
Ø 164		HMX.1640	HMW.1640	HMV.1640

	DoC 75 mm Weldon	DoC 100 mm Weldon	DoC 150 mm Weldon	DoC 200 mm Weldon
DIA	Ø 12 - 50 mm	Ø 12 - 200 mm	Ø 22 - 200 mm	Ø 22 - 200 mm
	Code	Code	Code	Code
Ø 165		HMX.1650	HMW.1650	HMV.1650
Ø 166		HMX.1660	HMW.1660	HMV.1660
Ø 167		HMX.1670	HMW.1670	HMV.1670
Ø 168		HMX.1680	HMW.1680	HMV.1680
Ø 169		HMX.1690	HMW.1690	HMV.1690
Ø 170		HMX.1700	HMW.1700	HMV.1700
Ø 171		HMX.1710	HMW.1710	HMV.1710
Ø 172		HMX.1720	HMW.1720	HMV.1720
Ø 173		HMX.1730	HMW.1730	HMV.1730
Ø 174		HMX.1740	HMW.1740	HMV.1740
Ø 175		HMX.1750	HMW.1750	HMV.1750
Ø 176		HMX.1760	HMW.1760	HMV.1760
Ø 177		HMX.1770	HMW.1770	HMV.1770
Ø 178		HMX.1780	HMW.1780	HMV.1780
Ø 179		HMX.1790	HMW.1790	HMV.1790
Ø 180		HMX.1800	HMW.1800	HMV.1800
Ø 181		HMX.1810	HMW.1810	HMV.1810
Ø 182		HMX.1820	HMW.1820	HMV.1820
Ø 183		HMX.1830	HMW.1830	HMV.1830
Ø 184		HMX.1840	HMW.1840	HMV.1840
Ø 185		HMX.1850	HMW.1850	HMV.1850
Ø 186		HMX.1860	HMW.1860	HMV.1860
Ø 187		HMX.1870	HMW.1870	HMV.1870
Ø 188		HMX.1880	HMW.1880	HMV.1880
Ø 189		HMX.1890	HMW.1890	HMV.1890
Ø 190		HMX.1900	HMW.1900	HMV.1900
Ø 191		HMX.1910	HMW.1910	HMV.1910
Ø 192		HMX.1920	HMW.1920	HMV.1920
Ø 193		HMX.1930	HMW.1930	HMV.1930
Ø 194		HMX.1940	HMW.1940	HMV.1940
Ø 195		HMX.1950	HMW.1950	HMV.1950
Ø 196		HMX.1960	HMW.1960	HMV.1960
Ø 197		HMX.1970	HMW.1970	HMV.1970
Ø 198		HMX.1980	HMW.1980	HMV.1980
Ø 199		HMX.1990	HMW.1990	HMV.1990
Ø 200		HMX.2000	HMW.2000	HMV.2000

TCT

Weldon shank



Shank sizes

DIA Ø 12 - 60 mm:
19.05 mm (3/4")DIA Ø 61 - 200 mm:
31.75 mm (1 1/4")

TCT

Weldon shank



Nitto/Weldon shank



Shank sizes

DIA Ø 7/16" - 2 5/16":
3/4"

DIA Ø 2 3/8" - 8":
1 1/4"



	DoC 1" Weldon	DoC 1" Nitto/Weldon	DoC 2" Weldon	DoC 2" Nitto/Weldon
DIA	Ø 7/16" - 4"	Ø 7/16" - 2 5/16"	Ø 7/16" - 8"	Ø 7/16" - 2 5/16"
	Code	Code	Code	Code
Ø 7/16"	HMS.7/16"	HMSU.7/16"	HML.7/16"	HMLU.7/16"
Ø 1/2"	HMS.1/2"	HMSU.1/2"	HML.1/2"	HMLU.1/2"
Ø 9/16"	HMS.9/16"	HMSU.9/16"	HML.9/16"	HMLU.9/16"
Ø 5/8"	HMS.5/8"	HMSU.5/8"	HML.5/8"	HMLU.5/8"
Ø 11/16"	HMS.11/16"	HMSU.11/16"	HML.11/16"	HMLU.11/16"
Ø 3/4"	HMS.3/4"	HMSU.3/4"	HML.3/4"	HMLU.3/4"
Ø 13/16"	HMS.13/16"	HMSU.13/16"	HML.13/16"	HMLU.13/16"
Ø 7/8"	HMS.7/8"	HMSU.7/8"	HML.7/8"	HMLU.7/8"
Ø 15/16"	HMS.15/16"	HMSU.15/16"	HML.15/16"	HMLU.15/16"
Ø 1"	HMS.1"	HMSU.1"	HML.1"	HMLU.1"
Ø 1 1/16"	HMS.1-1/16"	HMSU.1-1/16"	HML.1-1/16"	HMLU.1-1/16"
Ø 1 1/8"	HMS.1-1/8"	HMSU.1-1/8"	HML.1-1/8"	HMLU.1-1/8"
Ø 1 3/16"	HMS.1-3/16"	HMSU.1-3/16"	HML.1-3/16"	HMLU.1-3/16"
Ø 1 1/4"	HMS.1-1/4"	HMSU.1-1/4"	HML.1-1/4"	HMLU.1-1/4"
Ø 1 5/16"	HMS.1-5/16"	HMSU.1-5/16"	HML.1-5/16"	HMLU.1-5/16"
Ø 1 3/8"	HMS.1-3/8"	HMSU.1-3/8"	HML.1-3/8"	HMLU.1-3/8"
Ø 1 7/16"	HMS.1-7/16"	HMSU.1-7/16"	HML.1-7/16"	HMLU.1-7/16"
Ø 1 1/2"	HMS.1-1/2"	HMSU.1-1/2"	HML.1-1/2"	HMLU.1-1/2"
Ø 1 9/16"	HMS.1-9/16"	HMSU.1-9/16"	HML.1-9/16"	HMLU.1-9/16"
Ø 1 5/8"	HMS.1-5/8"	HMSU.1-5/8"	HML.1-5/8"	HMLU.1-5/8"
Ø 1 11/16"	HMS.1-11/16"	HMSU.1-11/16"	HML.1-11/16"	HMLU.1-11/16"
Ø 1 3/4"	HMS.1-3/4"	HMSU.1-3/4"	HML.1-3/4"	HMLU.1-3/4"
Ø 1 13/16"	HMS.1-13/16"	HMSU.1-13/16"	HML.1-13/16"	HMLU.1-13/16"
Ø 1 7/8"	HMS.1-7/8"	HMSU.1-7/8"	HML.1-7/8"	HMLU.1-7/8"
Ø 1 15/16"	HMS.1-15/16"	HMSU.1-15/16"	HML.1-15/16"	HMLU.1-15/16"
Ø 2"	HMS.2"	HMSU.2"	HML.2"	HMLU.2"
Ø 2 1/16"	HMS.2-1/16"	HMSU.2-1/16"	HML.2-1/16"	HMLU.2-1/16"
Ø 2 1/8"	HMS.2-1/8"	HMSU.2-1/8"	HML.2-1/8"	HMLU.2-1/8"
Ø 2 3/16"	HMS.2-3/16"	HMSU.2-3/16"	HML.2-3/16"	HMLU.2-3/16"
Ø 2 1/4"	HMS.2-1/4"	HMSU.2-1/4"	HML.2-1/4"	HMLU.2-1/4"
Ø 2 5/16"	HMS.2-5/16"	HMSU.2-5/16"	HML.2-5/16"	HMLU.2-5/16"
Ø 2 3/8"	HMS.2-3/8"		HML.2-3/8"	
Ø 2 7/16"	HMS.2-7/16"		HML.2-7/16"	
Ø 2 1/2"	HMS.2-1/2"		HML.2-1/2"	
Ø 2 9/16"	HMS.2-9/16"		HML.2-9/16"	
Ø 2 5/8"	HMS.2-5/8"		HML.2-5/8"	
Ø 2 11/16"	HMS.2-11/16"		HML.2-11/16"	
Ø 2 3/4"	HMS.2-3/4"		HML.2-3/4"	
Ø 2 13/16"	HMS.2-13/16"		HML.2-13/16"	
Ø 2 7/8"	HMS.2-7/8"		HML.2-7/8"	
Ø 2 15/16"	HMS.2-15/16"		HML.2-15/16"	
Ø 3"	HMS.3"		HML.3"	
Ø 3 1/16"	HMS.3-1/16"		HML.3-1/16"	
Ø 3 1/8"	HMS.3-1/8"		HML.3-1/8"	
Ø 3 3/16"	HMS.3-3/16"		HML.3-3/16"	
Ø 3 1/4"	HMS.3-1/4"		HML.3-1/4"	
Ø 3 5/16"	HMS.3-5/16"		HML.3-5/16"	
Ø 3 3/8"	HMS.3-3/8"		HML.3-3/8"	
Ø 3 7/16"	HMS.3-7/16"		HML.3-7/16"	
Ø 3 1/2"	HMS.3-1/2"		HML.3-1/2"	
Ø 3 9/16"	HMS.3-9/16"		HML.3-9/16"	

	DoC 1" Weldon	DoC 1" Nitto/Weldon	DoC 2" Weldon	DoC 2" Nitto/Weldon
DIA	Ø 7/16" - 4"	Ø 7/16" - 2 5/16"	Ø 7/16" - 8"	Ø 7/16" - 2 5/16"
	Code	Code	Code	Code
Ø 3 5/8"	HMS.3-5/8"		HML.3-5/8"	
Ø 3 11/16"	HMS.3-11/16"		HML.3-11/16"	
Ø 3 3/4"	HMS.3-3/4"		HML.3-3/4"	
Ø 3 13/16"	HMS.3-13/16"		HML.3-13/16"	
Ø 3 7/8"	HMS.3-7/8"		HML.3-7/8"	
Ø 3 15/16"	HMS.3-15/16"		HML.3-15/16"	
Ø 4"	HMS.4"		HML.4"	
Ø 4 1/16"			HML.4-1/16"	
Ø 4 1/8"			HML.4-1/8"	
Ø 4 3/16"			HML.4-3/16"	
Ø 4 1/4"			HML.4-1/4"	
Ø 4 5/16"			HML.4-5/16"	
Ø 4 3/8"			HML.4-3/8"	
Ø 4 7/16"			HML.4-7/16"	
Ø 4 1/2"			HML.4-1/2"	
Ø 4 9/16"			HML.4-9/16"	
Ø 4 5/8"			HML.4-5/8"	
Ø 4 11/16"			HML.4-11/16"	
Ø 4 3/4"			HML.4-3/4"	
Ø 4 13/16"			HML.4-13/16"	
Ø 4 7/8"			HML.4-7/8"	
Ø 4 15/16"			HML.4-15/16"	
Ø 5"			HML.5"	
Ø 5 1/16"			HML.5-1/16"	
Ø 5 1/8"			HML.5-1/8"	
Ø 5 3/16"			HML.5-3/16"	
Ø 5 1/4"			HML.5-1/4"	
Ø 5 5/16"			HML.5-5/16"	
Ø 5 3/8"			HML.5-3/8"	
Ø 5 7/16"			HML.5-7/16"	
Ø 5 1/2"			HML.5-1/2"	
Ø 5 9/16"			HML.5-9/16"	
Ø 5 5/8"			HML.5-5/8"	
Ø 5 11/16"			HML.5-11/16"	
Ø 5 3/4"			HML.5-3/4"	
Ø 5 13/16"			HML.5-13/16"	
Ø 5 7/8"			HML.5-7/8"	
Ø 5 15/16"			HML.5-15/16"	
Ø 6"			HML.6"	
Ø 6 1/16"			HML.6-1/16"	
Ø 6 1/8"			HML.6-1/8"	
Ø 6 3/16"			HML.6-3/16"	
Ø 6 1/4"			HML.6-1/4"	
Ø 6 5/16"			HML.6-5/16"	
Ø 6 3/8"			HML.6-3/8"	
Ø 6 7/16"			HML.6-7/16"	
Ø 6 1/2"			HML.6-1/2"	
Ø 6 9/16"			HML.6-9/16"	
Ø 6 5/8"			HML.6-5/8"	
Ø 6 11/16"			HML.6-11/16"	
Ø 6 3/4"			HML.6-3/4"	

TCT

Weldon shank



Nitto/Weldon shank



Shank sizes

DIA Ø 7/16" - 2 3/8":
3/4"

DIA Ø 2 7/16" - 8":
1 1/4"



DoC
Depth
of Cut
measured
inside
cutter

TCT imperial

TCT

Weldon shank



Nitto/Weldon shank



Shank sizes

DIA Ø 7/16" - 2 3/8":
3/4"

DIA Ø 2 7/16" - 8":
1 1/4"



DoC
Depth of Cut
measured
inside
cutter

	DoC 1" Weldon	DoC 1" Nitto/Weldon	DoC 2" Weldon	DoC 2" Nitto/Weldon
DIA	Ø 7/16" - 4"	Ø 7/16" - 2 5/16"	Ø 7/16" - 8"	Ø 7/16" - 2 5/16"
	Code	Code	Code	Code
Ø 6 13/16"			HML.6-13/16"	
Ø 6 7/8"			HML.6-7/8"	
Ø 6 15/16"			HML.6-15/16"	
Ø 7"			HML.7"	
Ø 7 1/16"			HML.7-1/16"	
Ø 7 1/8"			HML.7-1/8"	
Ø 7 3/16"			HML.7-3/16"	
Ø 7 1/4"			HML.7-1/4"	
Ø 7 5/16"			HML.7-5/16"	
Ø 7 3/8"			HML.7-3/8"	
Ø 7 7/16"			HML.7-7/16"	
Ø 7 1/2"			HML.7-1/2"	
Ø 7 9/16"			HML.7-9/16"	
Ø 7 5/8"			HML.7-5/8"	
Ø 7 11/16"			HML.7-11/16"	
Ø 7 3/4"			HML.7-3/4"	
Ø 7 13/16"			HML.7-13/16"	
Ø 7 7/8"			HML.7-7/8"	
Ø 7 15/16"			HML.7-15/16"	
Ø 8"			HML.8"	

	DoC 3" Weldon	DoC 4" Weldon	DoC 6" Weldon	DoC 8" Weldon
DIA	Ø 7/16" - 3"	Ø 7/16" - 8"	Ø 7/8" - 8"	Ø 7/8" - 8"
	Code	Code	Code	Code
Ø 7/16"	HMY.7/16"	HMX.7/16"		
Ø 1/2"	HMY.1/2"	HMX.1/2"		
Ø 9/16"	HMY.9/16"	HMX.9/16"		
Ø 5/8"	HMY.5/8"	HMX.5/8"		
Ø 11/16"	HMY.11/16"	HMX.11/16"		
Ø 3/4"	HMY.3/4"	HMX.3/4"		
Ø 13/16"	HMY.13/16"	HMX.13/16"		
Ø 7/8"	HMY.7/8"	HMX.7/8"	HMW.7/8"	HMV.7/8"
Ø 15/16"	HMY.15/16"	HMX.15/16"	HMW.15/16"	HMV.15/16"
Ø 1"	HMY.1"	HMX.1"	HMW.1"	HMV.1"
Ø 1 1/16"	HMY.1-1/16"	HMX.1-1/16"	HMW.1-1/16"	HMV.1-1/16"
Ø 1 1/8"	HMY.1-1/8"	HMX.1-1/8"	HMW.1-1/8"	HMV.1-1/8"
Ø 1 3/16"	HMY.1-3/16"	HMX.1-3/16"	HMW.1-3/16"	HMV.1-3/16"
Ø 1 1/4"	HMY.1-1/4"	HMX.1-1/4"	HMW.1-1/4"	HMV.1-1/4"
Ø 1 5/16"	HMY.1-5/16"	HMX.1-5/16"	HMW.1-5/16"	HMV.1-5/16"
Ø 1 3/8"	HMY.1-3/8"	HMX.1-3/8"	HMW.1-3/8"	HMV.1-3/8"
Ø 1 7/16"	HMY.1-7/16"	HMX.1-7/16"	HMW.1-7/16"	HMV.1-7/16"
Ø 1 1/2"	HMY.1-1/2"	HMX.1-1/2"	HMW.1-1/2"	HMV.1-1/2"
Ø 1 9/16"	HMY.1-9/16"	HMX.1-9/16"	HMW.1-9/16"	HMV.1-9/16"
Ø 1 5/8"	HMY.1-5/8"	HMX.1-5/8"	HMW.1-5/8"	HMV.1-5/8"
Ø 1 11/16"	HMY.1-11/16"	HMX.1-11/16"	HMW.1-11/16"	HMV.1-11/16"
Ø 1 3/4"	HMY.1-3/4"	HMX.1-3/4"	HMW.1-3/4"	HMV.1-3/4"
Ø 1 13/16"	HMY.1-13/16"	HMX.1-13/16"	HMW.1-13/16"	HMV.1-13/16"
Ø 1 7/8"	HMY.1-7/8"	HMX.1-7/8"	HMW.1-7/8"	HMV.1-7/8"
Ø 1 15/16"	HMY.1-15/16"	HMX.1-15/16"	HMW.1-15/16"	HMV.1-15/16"

	DoC 3" Weldon	DoC 4" Weldon	DoC 6" Weldon	DoC 8" Weldon
DIA	Ø 7/16" - 3"	Ø 7/16" - 8"	Ø 7/8" - 8"	Ø 7/8" - 8"
	Code	Code	Code	Code
Ø 2"	HMY.2"	HMX.2"	HMW.2"	HMV.2"
Ø 2 1/16"	HMY.2-1/16"	HMX.2-1/16"	HMW.2-1/16"	HMV.2-1/16"
Ø 2 1/8"	HMY.2-1/8"	HMX.2-1/8"	HMW.2-1/8"	HMV.2-1/8"
Ø 2 3/16"	HMY.2-3/16"	HMX.2-3/16"	HMW.2-3/16"	HMV.2-3/16"
Ø 2 1/4"	HMY.2-1/4"	HMX.2-1/4"	HMW.2-1/4"	HMV.2-1/4"
Ø 2 5/16"	HMY. 2-5/16"	HMX. 2-5/16"	HMW. 2-5/16"	HMV.2-5/16"
Ø 2 3/8"	HMY.2-3/8"	HMX.2-3/8"	HMW.2-3/8"	HMV.2-3/8"
Ø 2 7/16"	HMY.2-7/16"	HMX.2-7/16"	HMW.2-7/16"	HMV.2-7/16"
Ø 2 1/2"	HMY.2-1/2"	HMX.2-1/2"	HMW.2-1/2"	HMV.2-1/2"
Ø 2 9/16"	HMY.2-9/16"	HMX.2-9/16"	HMW.2-9/16"	HMV.2-9/16"
Ø 2 5/8"	HMY.2-5/8"	HMX.2-5/8"	HMW.2-5/8"	HMV.2-5/8"
Ø 2 11/16"	HMY.2-11/16"	HMX.2-11/16"	HMW.2-11/16"	HMV.2-11/16"
Ø 2 3/4"	HMY.2-3/4"	HMX.2-3/4"	HMW.2-3/4"	HMV.2-3/4"
Ø 2 13/16"	HMY.2-13/16"	HMX.2-13/16"	HMW.2-13/16"	HMV.2-13/16"
Ø 2 7/8"	HMY.2-7/8"	HMX.2-7/8"	HMW.2-7/8"	HMV.2-7/8"
Ø 2 15/16"	HMY.2-15/16"	HMX.2-15/16"	HMW.2-15/16"	HMV.2-15/16"
Ø 3"	HMY.3"	HMX.3"	HMW.3"	HMV.3"
Ø 3 1/16"		HMX.3-1/16"	HMW.3-1/16"	HMV.3-1/16"
Ø 3 1/8"		HMX.3-1/8"	HMW.3-1/8"	HMV.3-1/8"
Ø 3 3/16"		HMX.3-3/16"	HMW.3-3/16"	HMV.3-3/16"
Ø 3 1/4"		HMX.3-1/4"	HMW.3-1/4"	HMV.3-1/4"
Ø 3 5/16"		HMX.3-5/16"	HMW.3-5/16"	HMV.3-5/16"
Ø 3 3/8"		HMX.3-3/8"	HMW.3-3/8"	HMV.3-3/8"
Ø 3 7/16"		HMX.3-7/16"	HMW.3-7/16"	HMV.3-7/16"
Ø 3 1/2"		HMX.3-1/2"	HMW.3-1/2"	HMV.3-1/2"
Ø 3 9/16"		HMX.3-9/16"	HMW.3-9/16"	HMV.3-9/16"
Ø 3 5/8"		HMX.3-5/8"	HMW.3-5/8"	HMV.3-5/8"
Ø 3 11/16"		HMX.3-11/16"	HMW.3-11/16"	HMV.3-11/16"
Ø 3 3/4"		HMX.3-3/4"	HMW.3-3/4"	HMV.3-3/4"
Ø 3 13/16"		HMX.3-13/16"	HMW.3-13/16"	HMV.3-13/16"
Ø 3 7/8"		HMX.3-7/8"	HMW.3-7/8"	HMV.3-7/8"
Ø 3 15/16"		HMX.3-15/16"	HMW.3-15/16"	HMV.3-15/16"
Ø 4"		HMX.4"	HMW.4"	HMV.4"
Ø 4 1/16"		HMX.4-1/16"	HMW.4-1/16"	HMV.4-1/16"
Ø 4 1/8"		HMX.4-1/8"	HMW.4-1/8"	HMV.4-1/8"
Ø 4 3/16"		HMX.4-3/16"	HMW.4-3/16"	HMV.4-3/16"
Ø 4 1/4"		HMX.4-1/4"	HMW.4-1/4"	HMV.4-1/4"
Ø 4 5/16"		HMX.4-5/16"	HMW.4-5/16"	HMV.4-5/16"
Ø 4 3/8"		HMX.4-3/8"	HMW.4-3/8"	HMV.4-3/8"
Ø 4 7/16"		HMX.4-7/16"	HMW.4-7/16"	HMV.4-7/16"
Ø 4 1/2"		HMX.4-1/2"	HMW.4-1/2"	HMV.4-1/2"
Ø 4 9/16"		HMX.4-9/16"	HMW.4-9/16"	HMV.4-9/16"
Ø 4 5/8"		HMX.4-5/8"	HMW.4-5/8"	HMV.4-5/8"
Ø 4 11/16"		HMX.4-11/16"	HMW.4-11/16"	HMV.4-11/16"
Ø 4 3/4"		HMX.4-3/4"	HMW.4-3/4"	HMV.4-3/4"
Ø 4 13/16"		HMX.4-13/16"	HMW.4-13/16"	HMV.4-13/16"
Ø 4 7/8"		HMX.4-7/8"	HMW.4-7/8"	HMV.4-7/8"
Ø 4 15/16"		HMX.4-15/16"	HMW.4-15/16"	HMV.4-15/16"
Ø 5"		HMX.5"	HMW.5"	HMV.5"
Ø 5 1/16"		HMX.5-1/16"	HMW.5-1/16"	HMV.5-1/16"
Ø 5 1/8"		HMX.5-1/8"	HMW.5-1/8"	HMV.5-1/8"

TCT

Weldon shank



Shank sizes

DIA Ø 7/16" - 2 3/8":
3/4"DIA Ø 2 7/16" - 8":
1 1/4"

DoC

Depth
of Cut
measured
inside
cutter

TCT

Weldon shank



Shank sizes

DIA Ø 7/16" - 2 3/8":
3/4"

DIA Ø 2 7/16" - 8":
1 1/4"



	DoC 3" Weldon	DoC 4" Weldon	DoC 6" Weldon	DoC 8" Weldon
DIA	Ø 7/16" - 3"	Ø 7/16" - 8"	Ø 7/8" - 8"	Ø 7/8" - 8"
	Code	Code	Code	Code
Ø 5 3/16"		HMX.5-3/16"	HMW.5-3/16"	HMV.5-3/16"
Ø 5 1/4"		HMX.5-1/4"	HMW.5-1/4"	HMV.5-1/4"
Ø 5 5/16"		HMX.5-5/16"	HMW.5-5/16"	HMV.5-5/16"
Ø 5 3/8"		HMX.5-3/8"	HMW.5-3/8"	HMV.5-3/8"
Ø 5 7/16"		HMX.5-7/16"	HMW.5-7/16"	HMV.5-7/16"
Ø 5 1/2"		HMX.5-1/2"	HMW.5-1/2"	HMV.5-1/2"
Ø 5 9/16"		HMX.5-9/16"	HMW.5-9/16"	HMV.5-9/16"
Ø 5 5/8"		HMX.5-5/8"	HMW.5-5/8"	HMV.5-5/8"
Ø 5 11/16"		HMX.5-11/16"	HMW.5-11/16"	HMV.5-11/16"
Ø 5 3/4"		HMX.5-3/4"	HMW.5-3/4"	HMV.5-3/4"
Ø 5 13/16"		HMX.5-13/16"	HMW.5-13/16"	HMV.5-13/16"
Ø 5 7/8"		HMX.5-7/8"	HMW.5-7/8"	HMV.5-7/8"
Ø 5 15/16"		HMX.5-15/16"	HMW.5-15/16"	HMV.5-15/16"
Ø 6"		HMX.6"	HMW.6"	HMV.6"
Ø 6 1/16"		HMX.6-1/16"	HMW.6-1/16"	HMV.6-1/16"
Ø 6 1/8"		HMX.6-1/8"	HMW.6-1/8"	HMV.6-1/8"
Ø 6 3/16"		HMX.6-3/16"	HMW.6-3/16"	HMV.6-3/16"
Ø 6 1/4"		HMX.6-1/4"	HMW.6-1/4"	HMV.6-1/4"
Ø 6 5/16"		HMX.6-5/16"	HMW.6-5/16"	HMV.6-5/16"
Ø 6 3/8"		HMX.6-3/8"	HMW.6-3/8"	HMV.6-3/8"
Ø 6 7/16"		HMX.6-7/16"	HMW.6-7/16"	HMV.6-7/16"
Ø 6 1/2"		HMX.6-1/2"	HMW.6-1/2"	HMV.6-1/2"
Ø 6 9/16"		HMX.6-9/16"	HMW.6-9/16"	HMV.6-9/16"
Ø 6 5/8"		HMX.6-5/8"	HMW.6-5/8"	HMV.6-5/8"
Ø 6 11/16"		HMX.6-11/16"	HMW.6-11/16"	HMV.6-11/16"
Ø 6 3/4"		HMX.6-3/4"	HMW.6-3/4"	HMV.6-3/4"
Ø 6 13/16"		HMX.6-13/16"	HMW.6-13/16"	HMV.6-13/16"
Ø 6 7/8"		HMX.6-7/8"	HMW.6-7/8"	HMV.6-7/8"
Ø 6 15/16"		HMX.6-15/16"	HMW.6-15/16"	HMV.6-15/16"
Ø 7"		HMX.7"	HMW.7"	HMV.7"
Ø 7 1/16"		HMX.7-1/16"	HMW.7-1/16"	HMV.7-1/16"
Ø 7 1/8"		HMX.7-1/8"	HMW.7-1/8"	HMV.7-1/8"
Ø 7 3/16"		HMX.7-3/16"	HMW.7-3/16"	HMV.7-3/16"
Ø 7 1/4"		HMX.7-1/4"	HMW.7-1/4"	HMV.7-1/4"
Ø 7 5/16"		HMX.7-5/16"	HMW.7-5/16"	HMV.7-5/16"
Ø 7 3/8"		HMX.7-3/8"	HMW.7-3/8"	HMV.7-3/8"
Ø 7 7/16"		HMX.7-7/16"	HMW.7-7/16"	HMV.7-7/16"
Ø 7 1/2"		HMX.7-1/2"	HMW.7-1/2"	HMV.7-1/2"
Ø 7 9/16"		HMX.7-9/16"	HMW.7-9/16"	HMV.7-9/16"
Ø 7 5/8"		HMX.7-5/8"	HMW.7-5/8"	HMV.7-5/8"
Ø 7 11/16"		HMX.7-11/16"	HMW.7-11/16"	HMV.7-11/16"
Ø 7 3/4"		HMX.7-3/4"	HMW.7-3/4"	HMV.7-3/4"
Ø 7 13/16"		HMX.7-13/16"	HMW.7-13/16"	HMV.7-13/16"
Ø 7 7/8"		HMX.7-7/8"	HMW.7-7/8"	HMV.7-7/8"
Ø 7 15/16"		HMX.7-15/16"	HMW.7-15/16"	HMV.7-15/16"
Ø 8"		HMX.8"	HMW.8"	HMV.8"

6 piece cutter sets

Set TCT
metric

DoC 35 mm

- 6 piece annular cutter set
- Cutter sizes Ø 12, 14, 16, 18, 20, 22 mm
- Pilot pins IBC.75 & IBC.85 included

TCT.KIT

DoC 55 mm

- 6 piece annular cutter set
- Cutter sizes Ø 12, 14, 16, 18, 20, 22 mm
- Pilot pins IBC.80 & IBC.90 included

TCT.KIT/LSet TCT
imperial

10 piece cutter sets



DoC 35 mm

- 10 piece annular cutter set
- Cutter sizes 3 x Ø 14, 3 x Ø 18, 2 x Ø 22, 2 x Ø 26 mm
- Pilot pins IBC.75 & IBC.85 included

TCT.KIT/10S-M1

DoC 1"

- 10 piece annular cutter set
- Cutter sizes 2 x Ø 9/16", 2 x Ø 11/16", 2 x Ø 13/16", 2 x Ø 7/8", Ø 15/16", Ø 1"
- Pilot pins IBC.75 & IBC.85 included

TCT.KIT/10S-I1

DoC 1"

- 10 piece annular cutter set
- Cutter sizes 3 x Ø 9/16", 3 x Ø 13/16", 3 x Ø 7/8", Ø 15/16"
- Pilot pins IBC.75 & IBC.85 included

TCT.KIT/10S-I2

DoC 55 mm

- 10 piece annular cutter set
- Cutter sizes 3 x Ø 14, 3 x Ø 18, 2 x Ø 22, 2 x Ø 26 mm
- Pilot pins IBC.80 & IBC.90 included

TCT.KIT/10L-M1

DoC 2"

- 10 piece annular cutter set
- Cutter sizes 2 x Ø 9/16", 2 x Ø 11/16", 2 x Ø 13/16", 2 x Ø 7/8", Ø 15/16", Ø 1"
- Pilot pins IBC.80 & IBC.90 included

TCT.KIT/10L-I1

DoC 2"

- 10 piece annular cutter set
- Cutter sizes 3 x Ø 9/16", 3 x Ø 13/16", 3 x Ø 7/8", Ø 15/16"
- Pilot pins IBC.80 & IBC.90 included

TCT.KIT/10L-I2