

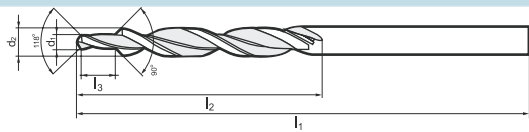
SPIRALNE BURGIJE STEPENASTE, VALJKASTE

SUBLAND DRILLS WITH STRAIGHT SHANK

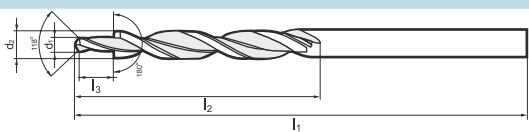
MEHRFASENSTUFENBOHRER MIT ZYLINDERSCHAFT



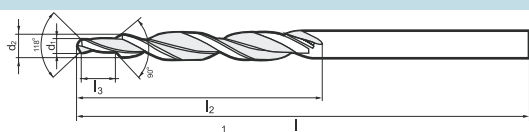
DIN 8374 / 90°

Series							BV81	
							Material	HSS
							Type	RN
							Point angle	118°
							Finish	black
M		d ₂	d ₁	l ₁	l ₂	l ₃	price EUR	
		mm	mm	mm	mm	mm	each	
M0300	3	6.00	3.2	93	57	9	24,320	
M0400	4	8.00	4.3	117	75	11	28,160	
M0500	5	10.00	5.3	133	87	13	35,200	
M0600	6	11.00	6.4	142	94	15	40,960	
M0800	8	15.00	8.4	169	114	19	67,200	
M1000	10	19.00	10.5	198	135	23	103,040	

DIN 8376 / 180°

Series							BV83	
							Material	HSS
							Type	RN
							Point angle	118°
							Finish	black
M		d ₂	d ₁	l ₁	l ₂	l ₃	price EUR	
		mm	mm	mm	mm	mm	each	
M0300	3	6	3.4	93	57	9	21,120	
M0400	4	8	4.5	117	75	11	24,960	
M0500	5	10	5.5	133	87	13	30,080	
M0600	6	11	6.6	142	94	15	35,200	
M0800	8	15	9	168	114	19	44,800	
M1000	10	18	11	191	130	23	62,720	

DIN 8378 / 90°

Series							BV85	
							Material	HSS
							Type	RN
							Point angle	118°
							Finish	black
M		d ₂	d ₁	l ₁	l ₂	l ₃	price EUR	
		mm	mm	mm	mm	mm	each	
M0300	3	3.4	2.5	70	39	8.8	19,200	
M0400	4	4.5	3.3	80	47	11.4	20,480	
M0500	5	5.5	4.2	93	57	13.6	21,120	
M0600	6	6.6	5	101	63	16.5	24,320	
M0800	8	9.0	6.8	125	81	21	27,520	
M1000	10	11	8.5	142	94	25.5	35,840	
M1200	12	13.5	10.2	160	108	30	46,720	

*Posebno označene cijene (**bold**) odnose se na robu koju imamo na lageru. Za ostali asortiman rabate i rokove isporuke dajemo na osnovu upita.

*Prices given in **bold** figures refer to products on stock. Discount and delivery terms for other product assortment are given at request.

*Die separat gekennzeichneten Prices (**bold**) beziehen sich auf die Ware, die auf Lager liegt. Die Rabatte und Lieferzeiten für das restliche Sortiment geben wir auf Anfrage bekannt.

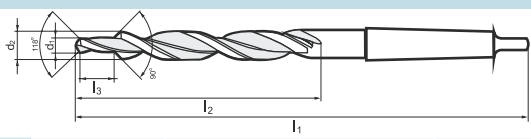
SPIRALNE BURGIJE STEPENASTE, KUPASTE

SUBLAND DRILLS WITH MORSE TAPER SHANK

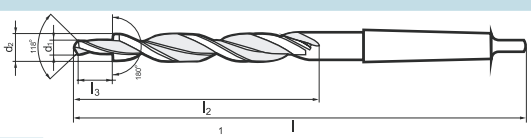
MEHRFASENSTUFENBOHRER MIT MORSEKEGELSCHAFT



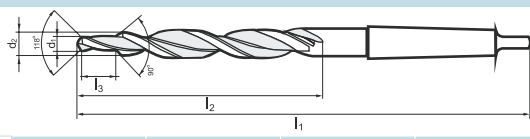
DIN 8375 / 90°

Series							BK81	
							Material	HSS
							Type	RN
							Point angle	118°
							Finish	black
							MT	price EUR
M		d ₂ mm	d ₁ mm	l ₁ mm	l ₂ mm	l ₃ mm		each
M0500	5	11.0	5.5	175	94	13	1	50,560
M0600	6	13.0	6.6	182	101	15	1	67,840
M0800	8	17.2	9.0	228	130	19	2	82,560
M1000	10	21.5	11.0	248	150	23	2	118,400

DIN 8377 / 90°

Series							BK83	
							Material	HSS
							Type	RN
							Point angle	118°
							Finish	black
							MT	price EUR
M		d ₂ mm	d ₁ mm	l ₁ mm	l ₂ mm	l ₃ mm		each
M0500	5	10	5.5	168	87	13	1	44,160
M0600	6	11	6.6	175	94	15	1	45,440
M0800	8	15	9	212	114	19	2	60,160
M1000	10	18	11	228	130	23	2	80,000
M1200	12	20	13.5	238	140	27	2	96,640
M1400	14	24	15.5	281	160	31	3	121,600
M1600	16	26	17.5	286	165	35	3	144,000
M1800	18	30	20	296	175	39	3	166,400
M2000	20	33	22	334	185	43	4	193,920

DIN 8379 / 90°

Series							BK85	
							Material	HSS
							Type	RN
							Point angle	118°
							Finish	black
							MT	price EUR
M		d ₂ mm	d ₁ mm	l ₁ mm	l ₂ mm	l ₃ mm		each
M0800	8	9	6.8	162	81	21	1	44,160
M1000	10	11	8.5	175	94	25.5	1	50,560
M1200	12	13.5	10.2	189	108	30	1	60,160
M1400	14	15.5	12	218	120	34.5	2	72,960
M1600	16	17.5	14	228	130	38.5	2	87,040
M1800	18	20	15.5	238	140	43.5	2	110,720
M2000	20	22	17.5	248	150	47.5	2	117,120

*Posebno označene cijene (**bold**) odnose se na robu koju imamo na lageru. Za ostali asortiman rabate i rokove isporuke dajemo na osnovu upita.

*Prices given in **bold** figures refer to products on stock. Discount and delivery terms for other product assortment are given at request.

*Die separat gekennzeichneten Prices (**bold**) beziehen sich auf die Ware, die auf Lager liegt. Die Rabatte und Lieferzeiten für das restliche Sortiment geben wir auf Anfrage bekannt.